

DATA SHEET

TDA8772; TDA8772A Triple 8-bit video digital-to-analog converter

Product specification
Supersedes data of May 1994
File under Integrated Circuits, IC02

1995 Mar 09

Philips Semiconductors



PHILIPS

Triple 8-bit video digital-to-analog converter

TDA8772; TDA8772A

FEATURES

- 8-bit resolution
- Sampling rate up to
35 MHz for TDA8772H/3, TDA8772AH/3
85 MHz for TDA8772H/8, TDA8772AH/8
- Internal reference voltage regulator
- No deglitching circuit required
- $\overline{\text{SYNC}}$, $\overline{\text{BLANK}}$ control inputs
- 3 independent clock inputs (one per DAC)
- 1 V output voltage range
- 75 Ω output load
- TDA8772A has $\overline{\text{BLANK}}$ control input on the GREEN channel only while TDA8772 has it on the 3 channels
- Single 5 V power supply
- 44-pin QFP package.

APPLICATIONS

- General purpose high-speed digital-to-analog conversion
- Digital TV
- Graphic display
- Desktop video processing.

ORDERING INFORMATION

TYPE NUMBER	PACKAGE				SAMPLING FREQUENCY
	PINS	PIN POSITION	MATERIAL	CODE	
TDA8772H/3	44	QFP44	plastic	SOT307B	35 MHz
TDA8772AH/3	44	QFP44	plastic	SOT307B	35 MHz
TDA8772H/8	44	QFP44	plastic	SOT307B	85 MHz
TDA8772AH/8	44	QFP44	plastic	SOT307B	85 MHz

GENERAL DESCRIPTION

The TDA8772, TDA8772A are triple 8-bit video digital-to-analog converters (DACs). They convert the digital input signals into analog voltage outputs at a maximum conversion rate of 35 MHz (TDA8772H/3, TDA8772AH/3) and 85 MHz (TDA8772H/8, TDA8772AH/8).

The DACs are based on resistor-string architecture with integrated output buffers. The output voltage range is determined by a built-in reference source.

The devices are fabricated in a 5 V CMOS process that ensures high functionality with low power dissipation.

Triple 8-bit video digital-to-analog
converter

TDA8772; TDA8772A

QUICK REFERENCE DATA

SYMBOL	PARAMETER	CONDITIONS	MIN.	TYP.	MAX.	UNIT
V _{DDA}	analog supply voltage		4.5	5.0	5.5	V
V _{DDD}	digital supply voltage		4.5	5.0	5.5	V
I _{DDA}	analog supply current	R _L = 75 Ω; note 1	40	65	100	mA
I _{DDD}	digital supply current TDA8772H/3, TDA8772AH/3 TDA8772H/8, TDA8772AH/8		–	7	16	mA
			–	16	27	mA
INL	integral non-linearity ²	f _{clk} = 35 MHz; ramp input	–	±0.5	±1	LSB
		f _{clk} = 85 MHz; ramp input	–	±0.75	±1.2	LSB
DNL	differential non-linearity	f _{clk} = 35 MHz; ramp input	–	±0.25	±0.5	LSB
		f _{clk} = 85 MHz; ramp input	–	±0.5	±0.75	LSB
f _{clk(max)}	maximum clock frequency TDA8772H/3, TDA8772AH/3 TDA8772H/8, TDA8772AH/8		35	–	–	MHz
			85	–	–	MHz
P _{tot}	total power dissipation TDA8772H/3, TDA8772AH/3 TDA8772H/8, TDA8772AH/8	note 1				
		R _L = 75 Ω; f _{clk} = 35 MHz	180	360	640	mW
	R _L = 75 Ω; f _{clk} = 85 MHz	180	405	700	mW	

Note

1. Minimum and maximum data of current and power consumption are measured in worse case conditions: for minimum data, all digital inputs are at logic level 0 while for maximum data, all digital inputs are at logic level 1.

Triple 8-bit video digital-to-analog converter

TDA8772; TDA8772A

BLOCK DIAGRAMS

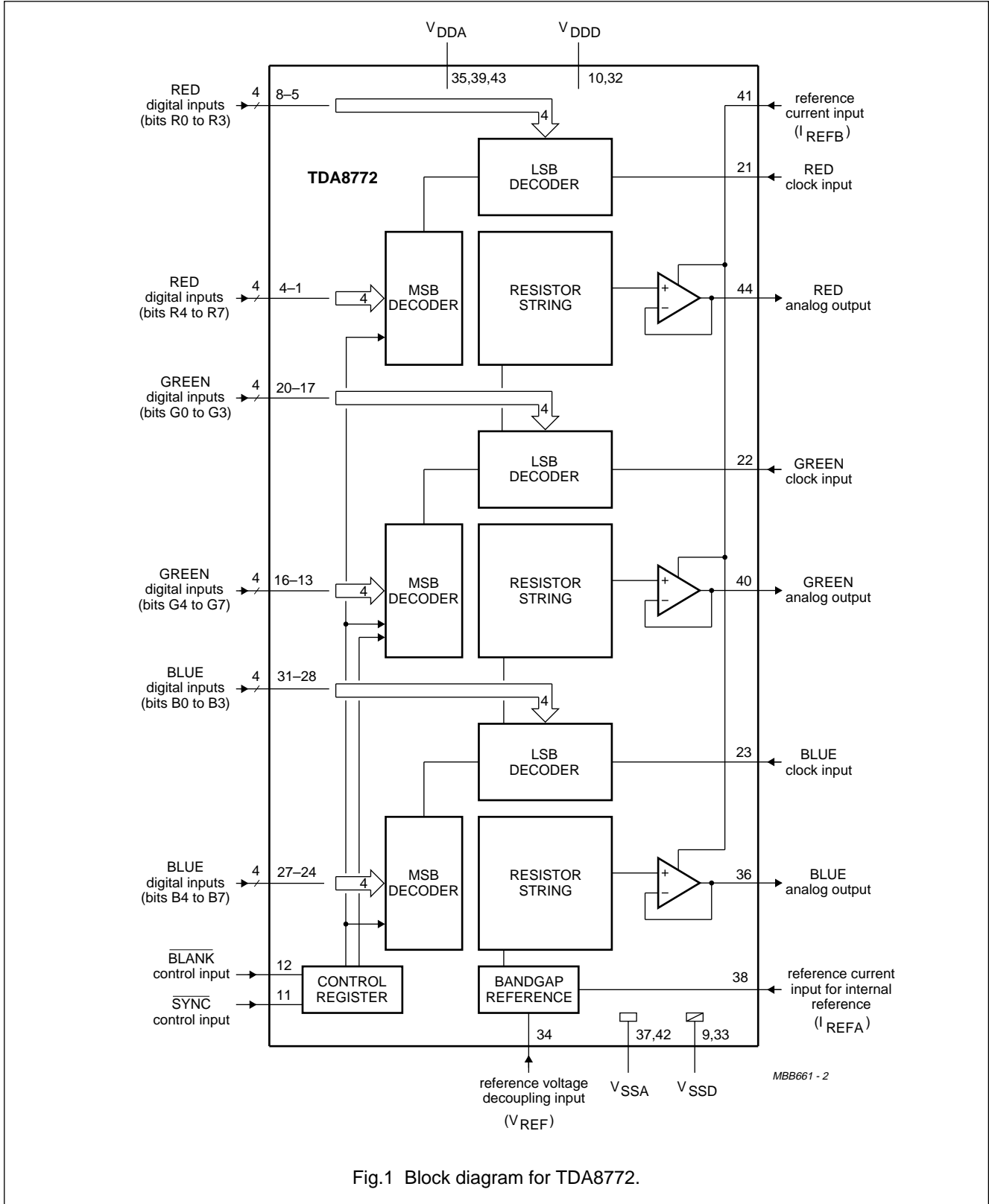


Fig.1 Block diagram for TDA8772.

Triple 8-bit video digital-to-analog converter

TDA8772; TDA8772A

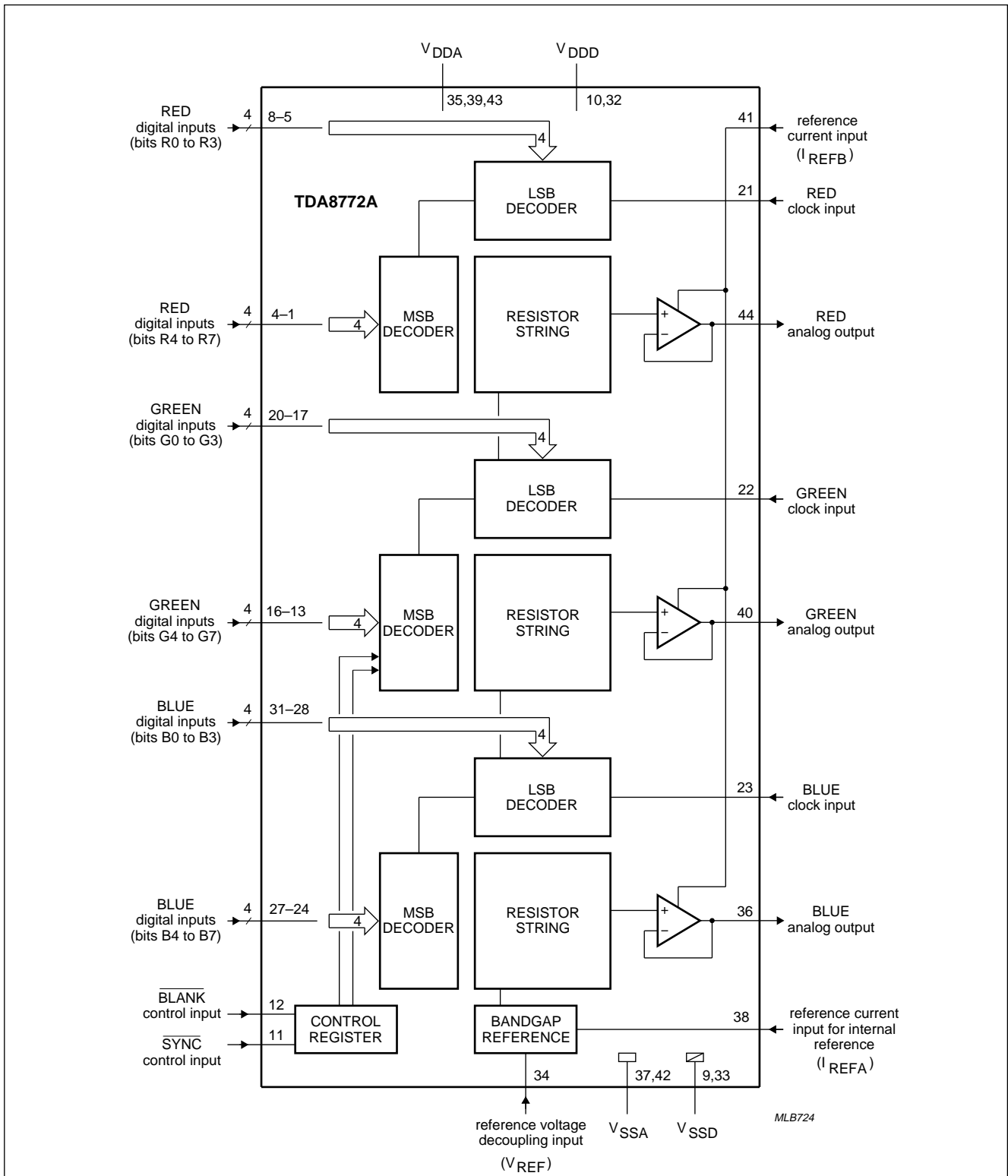


Fig.2 Block diagram for TDA8772A.

Triple 8-bit video digital-to-analog converter

TDA8772; TDA8772A

PINNING

SYMBOL	PIN	DESCRIPTION
R7	1	RED digital input data; bit 7 (MSB)
R6	2	RED digital input data; bit 6
R5	3	RED digital input data; bit 5
R4	4	RED digital input data; bit 4
R3	5	RED digital input data; bit 3
R2	6	RED digital input data; bit 2
R1	7	RED digital input data; bit 1
R0	8	RED digital input data; bit 0 (LSB)
V _{SSD1}	9	digital supply ground 1
V _{DD1}	10	digital supply voltage 1
$\overline{\text{SYNC}}$	11	composite sync control input; for GREEN channel only (active LOW)
$\overline{\text{BLANK}}$	12	composite blank control input (active LOW)
G7	13	GREEN digital input data; bit 7 (MSB)
G6	14	GREEN digital input data; bit 6
G5	15	GREEN digital input data; bit 5
G4	16	GREEN digital input data; bit 4
G3	17	GREEN digital input data; bit 3
G2	18	GREEN digital input data; bit 2
G1	19	GREEN digital input data; bit 1
G0	20	GREEN digital input data; bit 0 (LSB)
CLKR	21	RED clock input
CLKG	22	GREEN clock input
CLKB	23	BLUE clock input
B7	24	BLUE digital input data; bit 7 (MSB)
B6	25	BLUE digital input data; bit 6
B5	26	BLUE digital input data; bit 5
B4	27	BLUE digital input data; bit 4
B3	28	BLUE digital input data; bit 3
B2	29	BLUE digital input data; bit 2
B1	30	BLUE digital input data; bit 1
B0	31	BLUE digital input data; bit 0 (LSB)
V _{DD2}	32	digital supply voltage 2
V _{SS2}	33	digital supply ground 2
V _{REF}	34	decoupling input for reference voltage
V _{DDA1}	35	analog supply voltage 1
OUTB	36	BLUE analog output
V _{SSA1}	37	analog supply ground 1
I _{REFA}	38	reference current input for internal reference
V _{DDA2}	39	analog supply voltage 2
OUTG	40	GREEN analog output

Triple 8-bit video digital-to-analog converter

TDA8772; TDA8772A

SYMBOL	PIN	DESCRIPTION
I _{REFB}	41	reference current input for output buffers
V _{SSA2}	42	analog supply ground 2
V _{DDA3}	43	analog supply voltage 3
OUTR	44	RED analog output

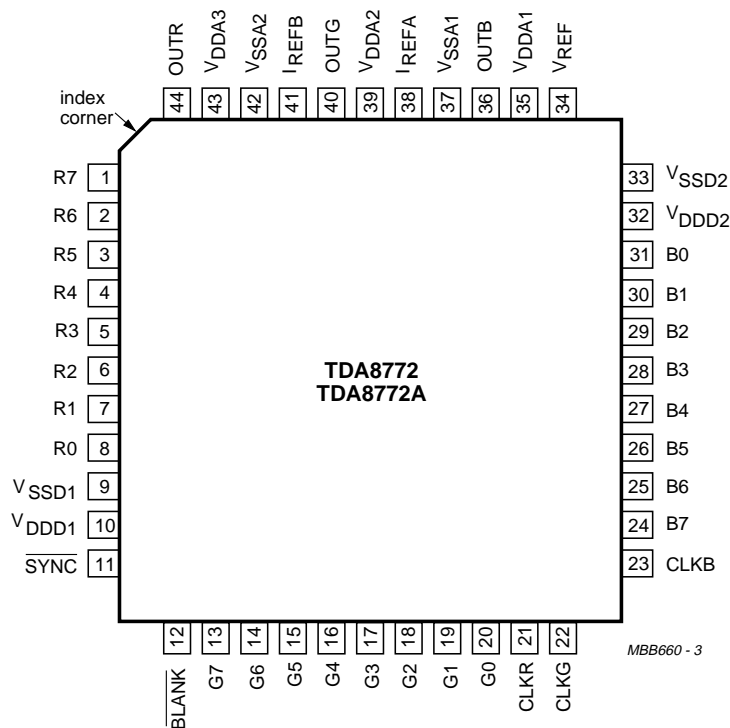


Fig.3 Pin configuration.

Triple 8-bit video digital-to-analog converter

TDA8772; TDA8772A

LIMITING VALUES

In accordance with the Absolute Maximum Rating System (IEC134).

SYMBOL	PARAMETER	MIN.	MAX.	UNIT
V_{DDA}	analog supply voltage	-0.5	+6.5	V
V_{DDD}	digital supply voltage	-0.5	+6.5	V
ΔV_{DD}	supply voltage difference between V_{DDA} and V_{DDD}	-1.0	+1.0	V
T_{stg}	storage temperature	-55	+150	°C
T_{amb}	operating ambient temperature	0	+70	°C
T_j	junction temperature	-	+125	°C

THERMAL CHARACTERISTICS

SYMBOL	PARAMETER	VALUE	UNIT
$R_{th\ j-a}$	thermal resistance from junction to ambient in free air	75	K/W

HANDLING

Inputs and outputs are protected against electrostatic discharges in normal handling. However, to be totally safe, it is desirable to take normal precautions appropriate to handling integrated circuits.

Triple 8-bit video digital-to-analog converter

TDA8772; TDA8772A

CHARACTERISTICS

TDA8772H/3, TDA8772AH/3 operating at 35 MHz and TDA8772H/8, TDA8772AH/8 operating at 85 MHz unless otherwise specified.

$V_{DDA} = V_{DDD} = 4.5 \text{ V}$ to 5.5 V ; V_{SSA} and V_{SSD} shorted together; $V_{DDA} - V_{DDD} = -0.5 \text{ V}$ to $+0.5 \text{ V}$; $T_{amb} = 0$ to $+70 \text{ }^\circ\text{C}$; typical values measured at $V_{DDA} = V_{DDD} = 5 \text{ V}$ and $T_{amb} = 25 \text{ }^\circ\text{C}$; unless otherwise specified.

SYMBOL	PARAMETER	CONDITIONS	MIN.	TYP.	MAX.	UNIT
Supply						
V_{DDA}	analog supply voltage		4.5	5.0	5.5	V
V_{DDD}	digital supply voltage		4.5	5.0	5.5	V
I_{DDA}	analog supply current	$R_L = 75 \text{ } \Omega$; note 1	40	65	100	mA
I_{DDD}	digital supply current					
	TDA8772H/3, TDA8772AH/3		–	7	16	mA
	TDA8772H/8, TDA8772AH/8		–	16	27	mA
Inputs						
CLOCK INPUTS (PINS 21, 22 AND 23)						
V_{IL}	LOW level input voltage		$V_{SSD} - 0.5$	–	0.8	V
V_{IH}	HIGH level input voltage		2.0	–	$V_{DDD} + 0.5$	V
BLANK, SYNC INPUTS (PINS 12 AND 11; ACTIVE LOW)						
V_{IL}	LOW level input voltage		$V_{SSD} - 0.5$	–	0.8	V
V_{IH}	HIGH level input voltage		2.0	–	$V_{DDD} + 0.5$	V
R, G, B DIGITAL INPUTS (PINS 1 TO 8, 13 TO 20 AND 24 TO 31)						
V_{IL}	LOW level input voltage		$V_{SSD} - 0.5$	–	0.8	V
V_{IH}	HIGH level input voltage		2.0	–	$V_{DDD} + 0.5$	V
I_{REFA} INTERNAL REFERENCE SUPPLY CURRENT (PIN 38)						
I_I	input current		–	0.17	0.25	mA
I_{REFB} OUTPUT BUFFER SUPPLY CURRENT (PIN 41)						
I_I	input current		–	0.5	0.7	mA
Timing ($C_L = 25 \text{ pF}$; $R_L = 75 \text{ } \Omega$); see Fig.4						
$f_{clk(max)}$	maximum clock frequency					
	TDA8772H/3, TDA8772AH/3		35	–	–	MHz
	TDA8772H/8, TDA8772AH/8		85	–	–	MHz
t_{CPH}	clock pulse width HIGH		5	–	–	ns
t_{CPL}	clock pulse width LOW		5	–	–	ns
t_r	clock rise time					
	TDA8772H/3, TDA8772AH/3		–	–	5	ns
	TDA8772H/8, TDA8772AH/8		–	–	3	ns
t_f	clock fall time					
	TDA8772H/3, TDA8772AH/3		–	–	5	ns
	TDA8772H/8, TDA8772AH/8		–	–	3	ns
$t_{SU;DAT}$	input data set-up time		4	–	–	ns
$t_{HD;DAT}$	input data hold time		2.5	–	–	ns

Triple 8-bit video digital-to-analog
converter

TDA8772; TDA8772A

SYMBOL	PARAMETER	CONDITIONS	MIN.	TYP.	MAX.	UNIT
Voltage reference (pin 34, referenced to V_{SSA})						
V _{REF}	output reference voltage		1.180	1.242	1.305	V
Outputs						
OUTB, OUTR, OUTG ANALOG OUTPUTS (PINS 36, 44 AND 40, REFERENCED TO V _{SSA}) FOR 75 Ω LOAD; see Tables 1 and 2						
FSR	full-scale output voltage range		0.9	1.0	1.1	V
V _{os}	offset of analog voltage output		0.75	0.83	0.95	V
V _{OUTmax}	maximum output voltage	data inputs = logic 1; note 2	1.65	1.83	2.05	V
V _{OUTmin}	minimum output voltage	data inputs = logic 0; note 2	0.75	0.83	0.95	V
THD	total harmonic distortion	f _i = 4.43 MHz; f _{clk} = 35 MHz	–	–45	–	dB
		f _i = 4.43 MHz; f _{clk} = 85 MHz	–	–43	–	dB
Z _L	output load impedance		60	75	90	Ω
Transfer function						
INL	integral non-linearity	f _{clk} = 35 MHz; ramp input	–	±0.5	±1	LSB
		f _{clk} = 85 MHz; ramp input	–	±0.75	±1.2	LSB
DNL	differential non-linearity	f _{clk} = 35 MHz; ramp input	–	±0.25	±0.5	LSB
		f _{clk} = 85 MHz; ramp input	–	±0.5	±0.75	LSB
α _{CT}	crosstalk DAC to DAC		–45	–	–	dB
	DAC to DAC matching		–	1.0	2.0	%
Switching characteristics (for 75 Ω output load); see Fig.5						
t _d	input to 50% output delay time	full-scale change	–	10	–	ns
t _{s1}	settling time	10% to 90% full-scale change	–	6	–	ns
t _{s2}	settling time	to ±1 LSB	–	30	–	ns
Output transients (glitches)						
V _g	area for 1 LSB change		–	1	–	LSB.ns

Notes

1. Minimum and maximum data of current and power consumption are measured in worse case conditions: for minimum data, all digital inputs are at logic level 0 while for maximum data, all digital inputs are at logic level 1.
2. V_{OUT} is directly proportional to V_{REF}.

Triple 8-bit video digital-to-analog converter

TDA8772; TDA8772A

Table 1 Input coding and DAC output voltages (typical values)

BINARY INPUT DATA (SYNC = BLANK = 0)	CODE	DAC OUTPUT VOLTAGES (V) OUTB, OUTR, OUTG $R_L = 75 \Omega$
0000 0000	0	0.830
0000 0001	1	0.834
....
1000 0000	128	1.330
....
1111 1110	254	1.826
1111 1111	255	1.830

Table 2 Input coding and DAC output voltages (typical values)

BINARY INPUT DATA	$\overline{\text{SYNC}}$ (PIN 11)	$\overline{\text{BLANK}}$ (PIN 12)	DAC OUTPUT VOLTAGES (V)		
			OUTG (PIN 40)	OUTR/B (PINS 44, 46) TDA8772	OUTR/B (PINS 44, 46) TDA8772A
....	x	1	see Table 1	see Table 1	see Table 1
....	1	0	0.830	0.830	
....	0	0	0.440		

Triple 8-bit video digital-to-analog converter

TDA8772; TDA8772A

TIMING

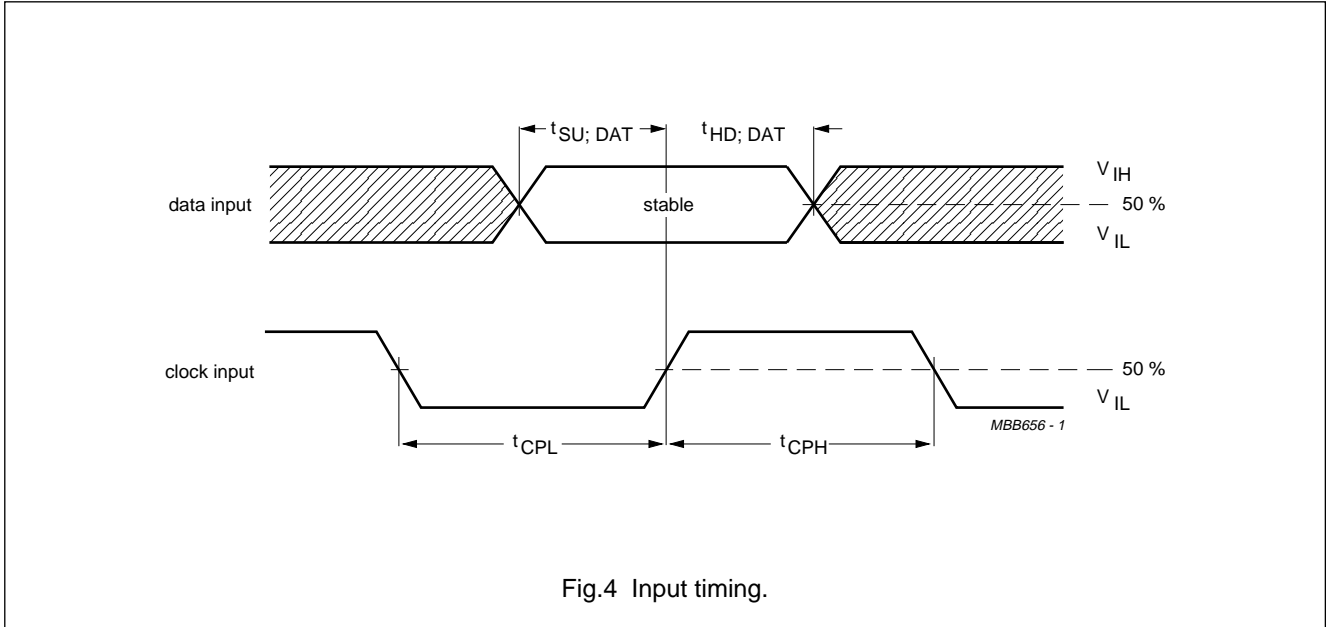


Fig.4 Input timing.

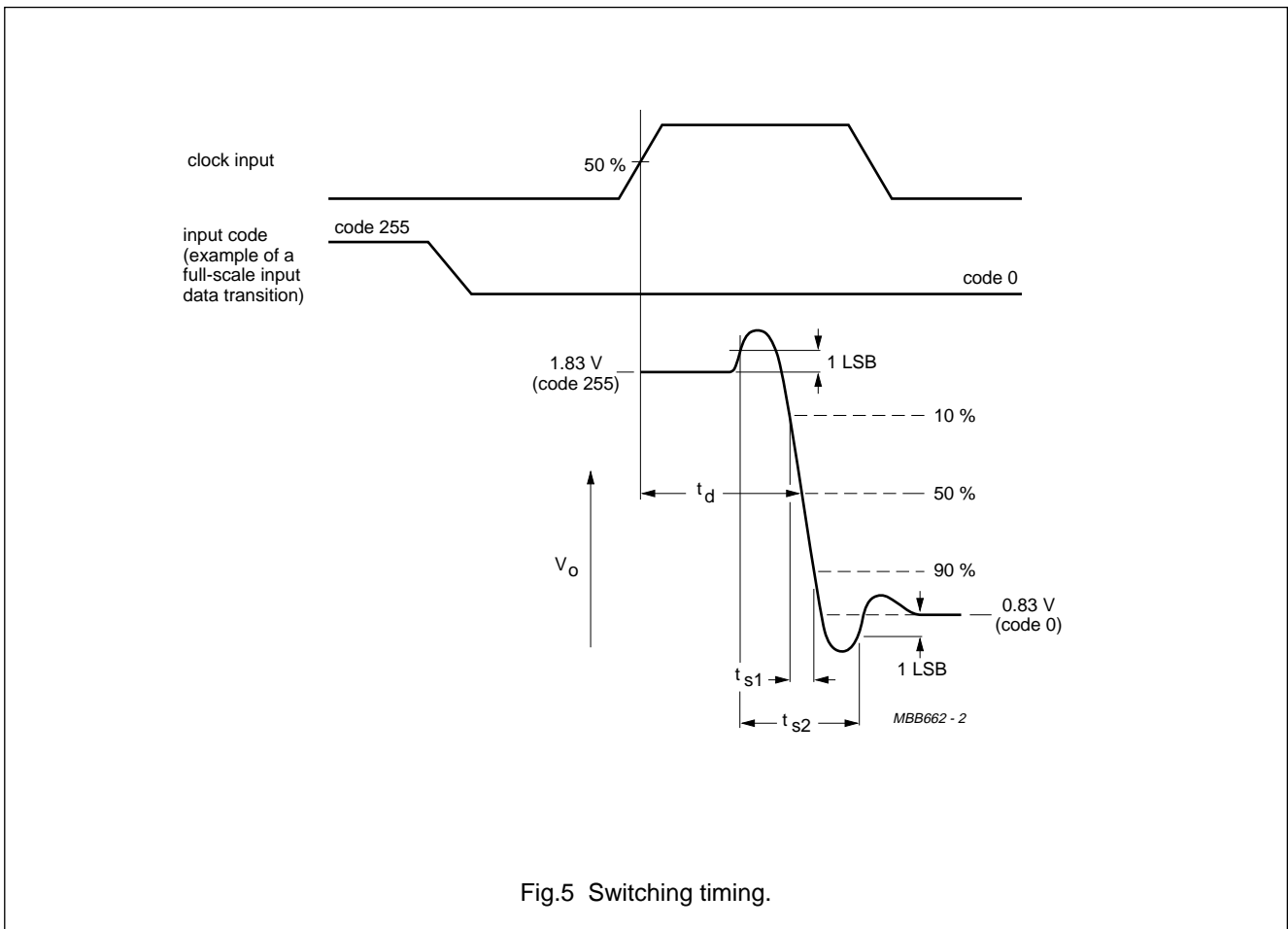
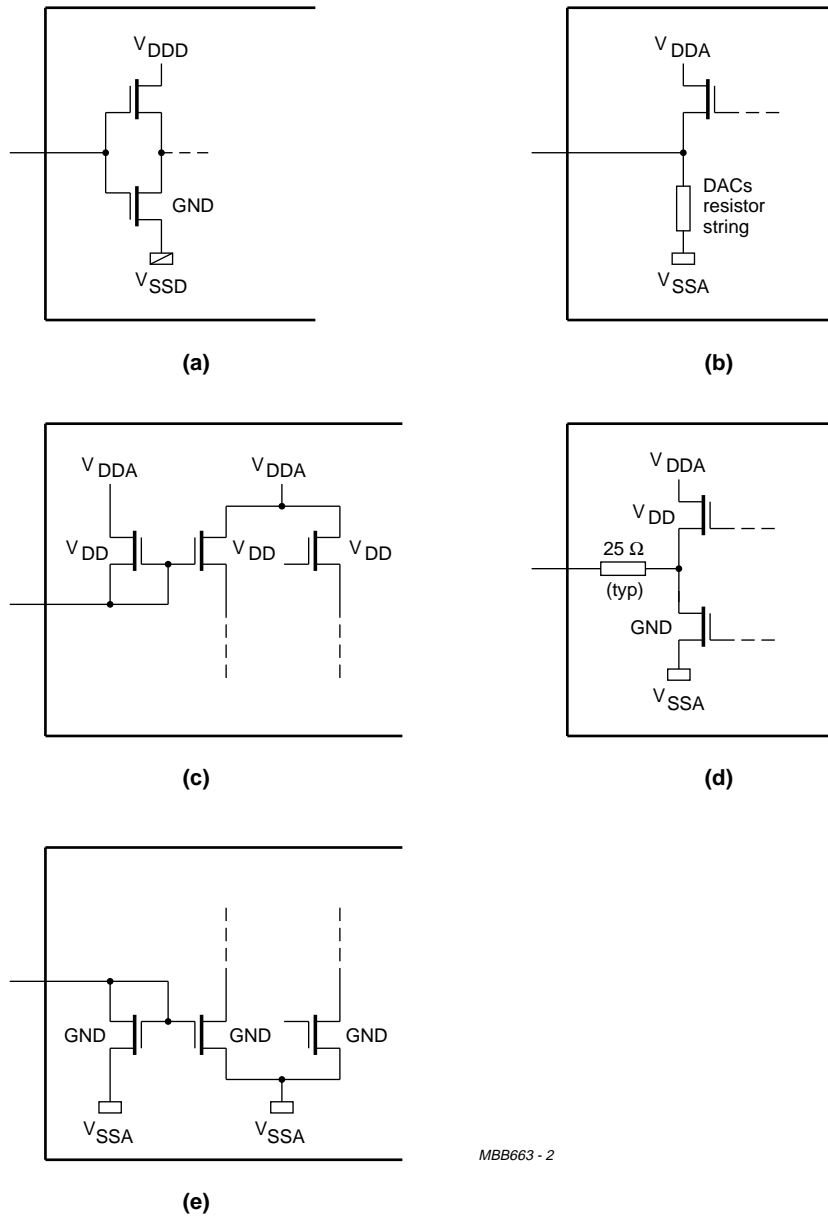


Fig.5 Switching timing.

Triple 8-bit video digital-to-analog converter

TDA8772; TDA8772A

INTERNAL CIRCUITRY



MBB663 - 2

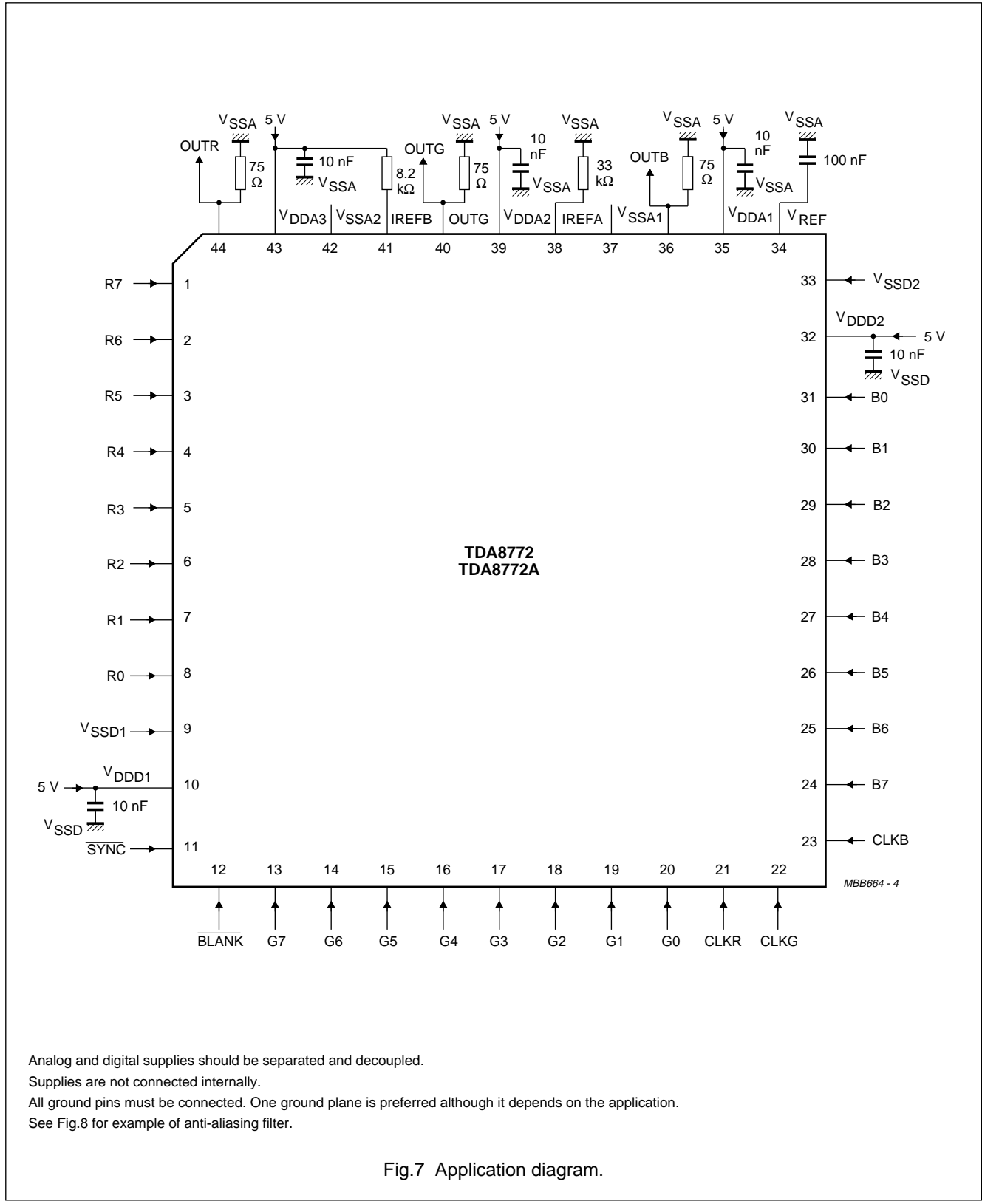
- (a) Digital inputs; pins 1 to 8 and 11 to 31.
- (b) VREF; pin 34.
- (c) IREFA; pin 38.
- (d) OUTF, G, B; pins 44, 40 and 36.
- (e) IREFB; pin 41.

Fig.6 Internal circuitry.

Triple 8-bit video digital-to-analog converter

TDA8772; TDA8772A

APPLICATION INFORMATION



Analogue and digital supplies should be separated and decoupled.
 Supplies are not connected internally.
 All ground pins must be connected. One ground plane is preferred although it depends on the application.
 See Fig.8 for example of anti-aliasing filter.

Fig.7 Application diagram.

Triple 8-bit video digital-to-analog converter

TDA8772; TDA8772A

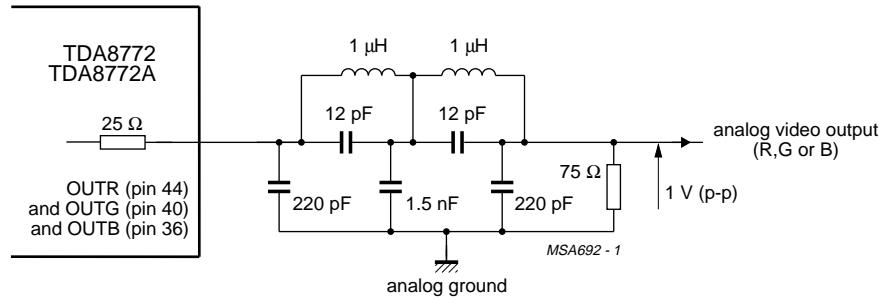


Fig.8 Example of anti-aliasing filter for 1 V output swing.

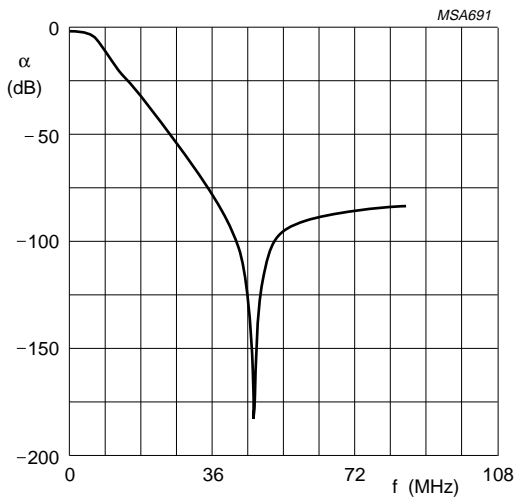


Fig.9 Frequency response for filter shown in Fig.8.

Characteristics of Fig.9

- Order 5; adapted CHEBYSHEV
- Ripple $\rho \geq 0.6$ dB
- f at -3 dB = 6.5 MHz
- $f_{\text{NOTCH}} = 46$ MHz.

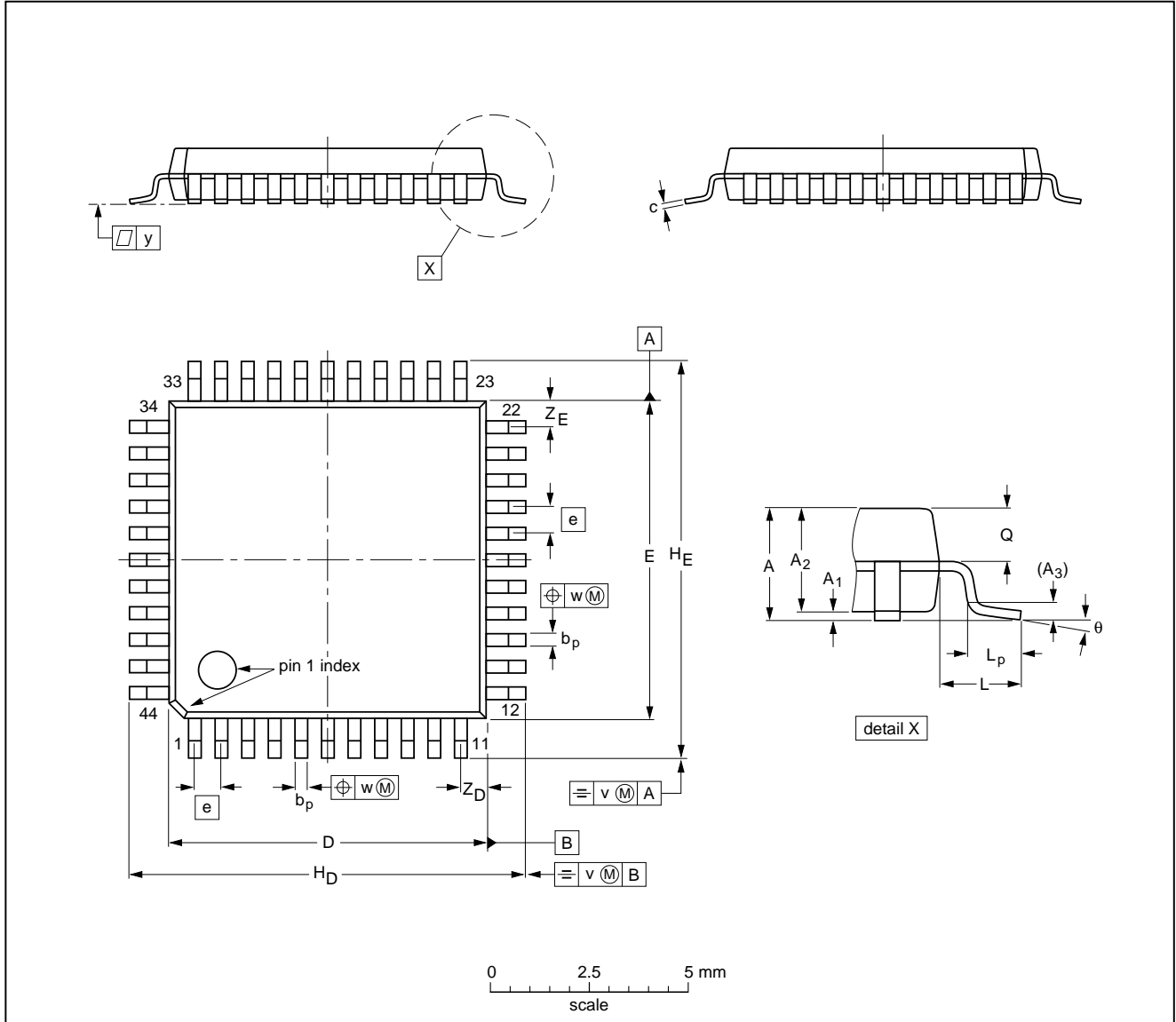
Triple 8-bit video digital-to-analog converter

TDA8772; TDA8772A

PACKAGE OUTLINE

QFP44: plastic quad flat package; 44 leads (lead length 1.3 mm); body 10 x 10 x 1.75 mm

SOT307-2



DIMENSIONS (mm are the original dimensions)

UNIT	A max.	A ₁	A ₂	A ₃	b _p	c	D ⁽¹⁾	E ⁽¹⁾	e	H _D	H _E	L	L _p	Q	v	w	y	Z _D ⁽¹⁾	Z _E ⁽¹⁾	θ
mm	2.10	0.25 0.05	1.85 1.65	0.25	0.40 0.20	0.25 0.14	10.1 9.9	10.1 9.9	0.8	12.9 12.3	12.9 12.3	1.3	0.95 0.55	0.85 0.75	0.15	0.15	0.1	1.2 0.8	1.2 0.8	10° 0°

Note

1. Plastic or metal protrusions of 0.25 mm maximum per side are not included.

OUTLINE VERSION	REFERENCES				EUROPEAN PROJECTION	ISSUE DATE
	IEC	JEDEC	EIAJ			
SOT307-2						92-11-17 95-02-04

Triple 8-bit video digital-to-analog converter

TDA8772; TDA8772A

SOLDERING

Plastic quad flat packages

BY WAVE

During placement and before soldering, the component must be fixed with a droplet of adhesive. After curing the adhesive, the component can be soldered. The adhesive can be applied by screen printing, pin transfer or syringe dispensing.

Maximum permissible solder temperature is 260 °C, and maximum duration of package immersion in solder bath is 10 s, if allowed to cool to less than 150 °C within 6 s. Typical dwell time is 4 s at 250 °C.

A modified wave soldering technique is recommended using two solder waves (dual-wave), in which a turbulent wave with high upward pressure is followed by a smooth laminar wave. Using a mildly-activated flux eliminates the need for removal of corrosive residues in most applications.

BY SOLDER PASTE REFLOW

Reflow soldering requires the solder paste (a suspension of fine solder particles, flux and binding agent) to be applied to the substrate by screen printing, stencilling or pressure-syringe dispensing before device placement.

Several techniques exist for reflowing; for example, thermal conduction by heated belt, infrared, and vapour-phase reflow. Dwell times vary between 50 and 300 s according to method. Typical reflow temperatures range from 215 to 250 °C.

Preheating is necessary to dry the paste and evaporate the binding agent. Preheating duration: 45 min at 45 °C.

REPAIRING SOLDERED JOINTS (BY HAND-HELD SOLDERING IRON OR PULSE-HEATED SOLDER TOOL)

Fix the component by first soldering two, diagonally opposite, end pins. Apply the heating tool to the flat part of the pin only. Contact time must be limited to 10 s at up to 300 °C. When using proper tools, all other pins can be soldered in one operation within 2 to 5 s at between 270 and 320 °C. (Pulse-heated soldering is not recommended for SO packages.)

For pulse-heated solder tool (resistance) soldering of VSO packages, solder is applied to the substrate by dipping or by an extra thick tin/lead plating before package placement.

DEFINITIONS

Data sheet status	
Objective specification	This data sheet contains target or goal specifications for product development.
Preliminary specification	This data sheet contains preliminary data; supplementary data may be published later.
Product specification	This data sheet contains final product specifications.
Limiting values	
Limiting values given are in accordance with the Absolute Maximum Rating System (IEC 134). Stress above one or more of the limiting values may cause permanent damage to the device. These are stress ratings only and operation of the device at these or at any other conditions above those given in the Characteristics sections of the specification is not implied. Exposure to limiting values for extended periods may affect device reliability.	
Application information	
Where application information is given, it is advisory and does not form part of the specification.	

LIFE SUPPORT APPLICATIONS

These products are not designed for use in life support appliances, devices, or systems where malfunction of these products can reasonably be expected to result in personal injury. Philips customers using or selling these products for use in such applications do so at their own risk and agree to fully indemnify Philips for any damages resulting from such improper use or sale.

Triple 8-bit video digital-to-analog
converter

TDA8772; TDA8772A

NOTES

Triple 8-bit video digital-to-analog
converter

TDA8772; TDA8772A

NOTES

Philips Semiconductors – a worldwide company

Argentina: IEROD, Av. Juramento 1992 - 14.b, (1428)
BUENOS AIRES, Tel. (541)786 7633, Fax. (541)786 9367

Australia: 34 Waterloo Road, NORTH RYDE, NSW 2113,
Tel. (02)805 4455, Fax. (02)805 4466

Austria: Triester Str. 64, A-1101 WIEN, P.O. Box 213,
Tel. (01)60 101-1236, Fax. (01)60 101-1211

Belgium: Postbus 90050, 5600 PB EINDHOVEN, The Netherlands,
Tel. (31)40 783 749, Fax. (31)40 788 399

Brazil: Rua do Rocio 220 - 5th floor, Suite 51,
CEP: 04552-903-SÃO PAULO-SP, Brazil.
P.O. Box 7383 (01064-970).

Tel. (011)821-2333, Fax. (011)829-1849

Canada: PHILIPS SEMICONDUCTORS/COMPONENTS:
Tel. (800) 234-7381, Fax. (708) 296-8556

Chile: Av. Santa Maria 0760, SANTIAGO,
Tel. (02)773 816, Fax. (02)777 6730

Colombia: IPRELENZO LTDA, Carrera 21 No. 56-17,
77621 BOGOTA, Tel. (571)249 7624/(571)217 4609,
Fax. (571)217 4549

Denmark: Prags Boulevard 80, PB 1919, DK-2300 COPENHAGEN S,
Tel. (032)88 2636, Fax. (031)57 1949

Finland: Sinikalliontie 3, FIN-02630 ESPOO,
Tel. (9)0-50261, Fax. (9)0-520971

France: 4 Rue du Port-aux-Vins, BP317,
92156 SURESNES Cedex,
Tel. (01)4099 6161, Fax. (01)4099 6427

Germany: P.O. Box 10 63 23, 20043 HAMBURG,
Tel. (040)3296-0, Fax. (040)3296 213.

Greece: No. 15, 25th March Street, GR 17778 TAVROS,
Tel. (01)4894 339/4894 911, Fax. (01)4814 240

Hong Kong: PHILIPS HONG KONG Ltd., 15/F Philips Ind. Bldg.,
24-28 Kung Yip St., KWAI CHUNG, N.T.,
Tel. (852)424 5121, Fax. (852)480 6960/480 6009

India: Philips INDIA Ltd, Shivsagar Estate, A Block,
Dr. Annie Besant Rd. Worli, Bombay 400 018
Tel. (022)4938 541, Fax. (022)4938 722

Indonesia: Philips House, Jalan H.R. Rasuna Said Kav. 3-4,
P.O. Box 4252, JAKARTA 12950,
Tel. (021)5201 122, Fax. (021)5205 189

Ireland: Newstead, Clonskeagh, DUBLIN 14,
Tel. (01)640 000, Fax. (01)640 200

Italy: PHILIPS SEMICONDUCTORS S.r.l.,
Piazza IV Novembre 3, 20124 MILANO,
Tel. (0039)2 6752 2531, Fax. (0039)2 6752 2557

Japan: Philips Bldg 13-37, Kohnan2-chome, Minato-ku, TOKYO 108,
Tel. (03)3740 5028, Fax. (03)3740 0580

Korea: (Republic of) Philips House, 260-199 Itaewon-dong,
Yongsan-ku, SEOUL, Tel. (02)794-5011, Fax. (02)798-8022

Malaysia: No. 76 Jalan Universiti, 46200 PETALING JAYA,
SELANGOR, Tel. (03)750 5214, Fax. (03)757 4880

Mexico: 5900 Gateway East, Suite 200, EL PASO, TX 79905,
Tel. 9-5(800)234-7381, Fax. (708)296-8556

Netherlands: Postbus 90050, 5600 PB EINDHOVEN, Bldg. VB
Tel. (040)783749, Fax. (040)788399

New Zealand: 2 Wagener Place, C.P.O. Box 1041, AUCKLAND,
Tel. (09)849-4160, Fax. (09)849-7811

Norway: Box 1, Manglerud 0612, OSLO,
Tel. (022)74 8000, Fax. (022)74 8341

Pakistan: Philips Electrical Industries of Pakistan Ltd.,
Exchange Bldg. ST-2/A, Block 9, KDA Scheme 5, Clifton,
KARACHI 75600, Tel. (021)587 4641-49,
Fax. (021)577035/5874546.

Philippines: PHILIPS SEMICONDUCTORS PHILIPPINES Inc,
106 Valero St. Salcedo Village, P.O. Box 2108 MCC, MAKATI,
Metro MANILA, Tel. (02)810 0161, Fax. (02)817 3474

Portugal: PHILIPS PORTUGUESA, S.A.,
Rua dr. António Loureiro Borges 5, Arquiparque - Miraflores,
Apartado 300, 2795 LINDA-A-VELHA,
Tel. (01)4163160/4163333, Fax. (01)4163174/4163366.

Singapore: Lorong 1, Toa Payoh, SINGAPORE 1231,
Tel. (65)350 2000, Fax. (65)251 6500

South Africa: S.A. PHILIPS Pty Ltd.,
195-215 Main Road Martindale, 2092 JOHANNESBURG,
P.O. Box 7430 Johannesburg 2000,
Tel. (011)470-5911, Fax. (011)470-5494.

Spain: Balmes 22, 08007 BARCELONA,
Tel. (03)301 6312, Fax. (03)301 42 43

Sweden: Kottbygatan 7, Akalla. S-164 85 STOCKHOLM,
Tel. (0)8-632 2000, Fax. (0)8-632 2745

Switzerland: Allmendstrasse 140, CH-8027 ZÜRICH,
Tel. (01)488 2211, Fax. (01)481 77 30

Taiwan: PHILIPS TAIWAN Ltd., 23-30F, 66, Chung Hsiao West
Road, Sec. 1. Taipei, Taiwan ROC, P.O. Box 22978,
TAIPEI 100, Tel. (02)388 7666, Fax. (02)382 4382.

Thailand: PHILIPS ELECTRONICS (THAILAND) Ltd.,
209/2 Sanpavuth-Bangna Road Prakanong,
Bangkok 10260, THAILAND,
Tel. (662)398-0141, Fax. (662)398-3319.

Turkey: Talatpasa Cad. No. 5, 80640 GÜLTEPE/ISTANBUL,
Tel. (0212)279 2770, Fax. (0212)282 6707

United Kingdom: Philips Semiconductors LTD.,
276 Bath Road, Hayes, MIDDLESEX UB3 5BX,
Tel. (0181)730-5000, Fax. (0181)754-8421

United States: 811 East Arques Avenue, SUNNYVALE,
CA 94088-3409, Tel. (800)234-7381, Fax. (708)296-8556

Uruguay: Coronel Mora 433, MONTEVIDEO,
Tel. (02)70-4044, Fax. (02)92 0601

Internet: <http://www.semiconductors.philips.com/ps/>

For all other countries apply to: Philips Semiconductors,
International Marketing and Sales, Building BE-p,
P.O. Box 218, 5600 MD, EINDHOVEN, The Netherlands,
Telex 35000 phtcnl, Fax. +31-40-724825

SCD38

© Philips Electronics N.V. 1995

All rights are reserved. Reproduction in whole or in part is prohibited without the prior written consent of the copyright owner.

The information presented in this document does not form part of any quotation or contract, is believed to be accurate and reliable and may be changed without notice. No liability will be accepted by the publisher for any consequence of its use. Publication thereof does not convey nor imply any license under patent- or other industrial or intellectual property rights.

Printed in The Netherlands

533061/30/05/pp20

Date of release: 1995 Mar 09

Document order number:

9397 750 00029

Philips Semiconductors



PHILIPS